

# Dealer Price List

Prices Effective January 1, 2009



## Electric Glass Washers



MADE IN THE USA

Item No	Product Description	Shipping Weight	List Price Each
<b>A-200</b>	<b>UPRIGHT GLASS WASHER - 115V-60Hz</b> Features quiet, powerful 1/3 HP enclosed motor with sealed lower bearing and exclusive Splashgard canopy. Heavy bronze bearings and stainless construction. Available with factory installed G.F.C.I. Details on request.	27 Lbs each unit	586.00
<b>A-205</b>	<b>UPRIGHT GLASS WASHER - 220V-50/60Hz</b>		634.00
<b>SS-100</b>	<b>SUBMERSIBLE GLASS WASHER - 115V-60Hz</b> Powerful 1/3 HP motor, heavy-duty stainless construction and bronze bearings deliver outstanding performance and reliability. G.F.C.I. included.	27 Lbs each unit	752.00
<b>SS-101</b>	<b>SUBMERSIBLE GLASS WASHER - 220/230V - 50Hz/60Hz</b>		796.00

## Replacement Brush Sets



Item No	Product Description	Single Unit List \$
<b>BRS-1722</b>	<b>BAR MAID 4 X 6" &amp; 1 X 7 1/2"</b> Original Replacement Set in a bar coded retail display box.	79.00
<b>BRS-1720SL</b>	<b>UNIVERSAL 4 X 6" &amp; 1 X 6 3/4"</b> Replacement Set fits all current models in a bar coded retail display box.	79.00

## Manual Glass Washers



Item No	Product Description	Single Unit List \$	Case List \$
<b>GWM-200</b>	<b>TWO BRUSH MANUAL GLASS WASHER</b> Bar Maid Heavy Duty Manual Glass Washers Feature Long Lasting Brushes and Firm Grip Suction-cup Base. Packaged in Bar Maid Color Display Packaging.	26.90	161.40 (6 per case)
<b>GWM-300</b>	<b>THREE BRUSH MANUAL GLASS WASHER</b>	32.90	197.40 (6 per case)
<b>GWM-100</b>	<b>REPLACEMENT BRUSHES</b> for Manual Glass Washers	11.40	136.80 (12 per case)

### Freight Policy

**100% freight paid** - on orders of 6 Electric Glass Washers (any mix) or 18 Blenders (any mix) OR any combination of Glass Washers, Blenders, KP Carts, KP Dollies, Manual Glass Washers, Pre-Scrubbers, and/or Test Strips for a combined dollar volume of minimum \$1950.00 (shipped within the contiguous USA).

**50% Freight paid** - on orders of at least 3 Electric Glass Washers (any mix) or at least 9 Blenders (any mix)

**Replacement parts** - have no freight allowance **EXCEPT** when accompanying orders already entitled to 100% freight prepaid.

**Lo Suds & Sanitizer**- Lo Suds cases and Sanitizer Master Cartons mix or match - 25% paid on 25 - 75 cases, 50% paid on 76+ cases - shipped within the contiguous USA.



### DEALER PRICING

Prices are subject to change without notice.

Minimum order size is \$30.00.

Parts orders are FOB Pompano Beach, FL.

Pre-paid freight applies to shipment weight only and not to other services.

Charges levied by carriers for delivery appointments, driver assistance, etc., are the responsibility of the purchaser.

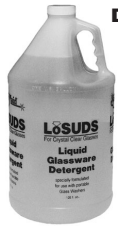


ETL Listed

ALL MODELS TESTED AND APPROVED FOR SAFETY AND SANITATION IN THE USA AND CANADA

ANSI/UL 921 CSA C22.2 NO 168M NSF-26

Order Line 1-800-526-5278 • Order Fax 1-800-457-5612 • Email: [info@barmaidwashers.com](mailto:info@barmaidwashers.com)



**DET-200**



**DIS-201**



**DIS-202**



**DIS-302**



**TAP-CAP**

## LoSUDS & Sanitizer

Item No	Product Description	Shipping Weight	Quantity	List Price Unit	List Price Carton
<b>DET-200</b>	<b>LoSUDS</b> – The ultimate detergent. For electric Glass Washers – use only 1 ounce per 3 gallons of water	37 lbs. Case	Case of 4 Gallons	14.20 per Gallon	56.80 Case
<b>DIS-201</b>	<b>Bar Maid Quaternary Tablet Sanitizer</b> . Kitchen and Bar, 3rd sink & surface. One Tablet per gallon – 150 tablets per bottle (12 cases per master carton)	49 lbs. Master Carton	Case of 6 bottles	47.40 per Case	568.80 Master Carton/12 Cs.
<b>DIS-202</b>	<b>Bar Maid Sanitizer Test Strips - Quaternary Strips</b> Convenient dispenser stops wet fingers from damaging unused strips. Approximately 100 test strips per dispenser (12 dispensers per display box)	1 lb. Box	Box of 12 dispensers	9.30 per Dispenser	111.60 Box of 12
<b>DIS-302</b>	<b>Bar Maid Sanitizer Test Strips - Chlorinated Strips</b> Convenient dispenser stops wet fingers from damaging unused strips. Approximately 100 test strips per dispenser (12 dispensers per display box)	1 lb. Box	Box of 12 dispensers	6.30 per Dispenser	75.60 Box of 12
<b>TAP-CAP</b>	<b>Beer Tap Cap</b> – Keeps bugs out and helps keep taps more sanitary.	2 lbs. Case	Bag of 12	10.80 per Bag	64.80 Case (6 Bags)
<b>TAP-STRIP</b>	<b>Beer Drip Tray Sanitizer Strip</b> – helps eliminate food source for fruit flies. Eliminates odors and drain clogs from bacteria build up.	2 lbs. Case	Bag of 1	7.20 per Bag	86.40 Case (12 Bags)



**KPC-100**



**DOL-100**



## Keg & Pail Cart & Dolly

Item No	Product Description	Shipping Weight	Quantity	List Price Each
<b>KPC-100</b>	<b>KP CART</b> - Keg & Pail Cart. Easily moves heavy kegs, stock pots, 5 gallon pails etc.	20 lbs.	1 per box	269.00
<b>DOL-100</b>	<b>KP DOLLY</b> - Keg & Pail Dolly. Heavy duty all metal construction moves beer kegs and most sizes of trash cans. Supports up to a maximum of 400lbs.	7 lbs.	1 per box	98.00



## Glass Washer - Pre-Scrubber

Item No	Product Description	Shipping Weight	Quantity	List Price Each
<b>GWM-1</b>	<b>PRE-SCRUBBER</b> - Manual Glass Washer. Easily removes lipstick etc. before glasses go in cabinet washer. Also can be used as back up Glass Washer.	2 lbs.	1 per box	54.00

# Bar Maid Corporation

2950 N.W. 22nd Terrace • Pompano Beach, FL 33069-1045

Tel: (954) 960-1468 • Fax: (954) 960-1647 • email: info@barmaidwashers.com



# Glass Washer Parts List

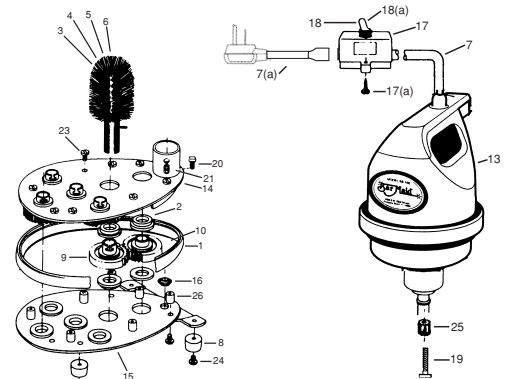
Part Number	Product Description	Model SS Diagram #	Model A Diagram #	Qty Required	List \$ Each
BAN-865	<b>BAND</b> • gear protector for Model A and SS	1	2	1	27.10
BER-3540S	<b>BEARINGS SET</b> • upper and lower shaft bearing set for Model A	N/A	3 & 4	1 set	12.60
BER-860	<b>BEARINGS</b> • bronze gear bearings for Model A and SS	2	5	12	9.10
BER-860S	<b>BEARINGS SET</b> • bronze gear bearing set (12 per set) for Model A and SS	2	5	1 set	99.60
COR-115	<b>CORD</b> • (110v) with switch assembly & GFCI for Model SS (older model)	7	N/A	1	116.60
COR-125	<b>CORD</b> • (110v) with switch assembly and GFCI for Model SS (new style)	7	N/A	1	123.00
COR-220	<b>CORD</b> • (110v) complete for Model A	N/A	9	1	19.40
CPL-285	<b>COUPLER</b> • motor shaft for Model A	N/A	10	1	21.10
CPY-500	<b>CANOPY</b> • Splashgard® for top of motor on Model A	N/A	17	1	19.10
FET-850Set	<b>FEET SET</b> • 4 black rubber feet with 4 screws for Model A and SS	8 & 24	12 & 24	1 set	13.60
FPL-1070	<b>FOOT PEDAL SWITCH</b> • accessory for Model A and SS	not shown	not shown	1	66.30
GAS-175	<b>GASKET</b> • switch plate cover for Model A	N/A	11	1	3.50
GER-905	<b>GEARS</b> • drive gears (to drive the brushes) for Model A and SS	9	13	5	11.50
GER-906	<b>GEAR</b> • idler gear for Model A and SS	10	14	1	11.50
GER-9056S	<b>GEAR SET</b> • 5 drive gears and 1 idler gear for Model A and SS	9 & 10	13 & 14	1 set	63.50
GFI-100	<b>G.F.C.I.</b> • ground fault interrupter safety device	7(a)	N/A	1	60.40
MTR-201	<b>MOTOR</b> • Model A-200 (115V) W/cord, switch & canopy	N/A	16	1	250.10
MTR-205	<b>MOTOR</b> • Model A-205 (220V - 50/60Hz)	N/A	16	1	265.00
MTR-801	<b>MOTOR</b> • Model SS (115V) with switch and G.F.C.I.	13	N/A	1	368.90
MTR-840	<b>MOTOR</b> • Model SS (220-230V - 50/60Hz) with switch	13	N/A	1	422.90
PPP-185	<b>PLASTIC PLUG</b> • for bottom plate for Model SS	16	N/A	1	2.50
SBA-270	<b>SWITCH COVER</b> • switch cover - red for Model A	N/A	27(a)	1	2.90
SBC-240	<b>SWITCH COVER</b> • switch cover - black with nut for Model SS	18	N/A	1	7.70
SBX-110	<b>SWITCH BOX</b> • without switch for Model SS	17	N/A	1	11.60
SCR-150	<b>SCREW</b> • back plate - <b>NOTE: This item has been replaced with SCR-878/879 Assembly</b>	20	N/A	1	N/A
SCR-875	<b>SCREW</b> • plate screw (old) for Model A and SS	23	23(a) (b)	SS=13 A=16	1.70
SCR-876/877	<b>Through Bolt / Nut Assembly</b> • Includes spacer SPA-886 (black) for Model A and SS	23	23	SS=6 A=8	5.50
SCR-878/879	<b>Screw / Lock Nut Assembly</b> • Includes spacer SPA-885 (white) for back hole of plate for Model A and SS	20	23(a) (b)	1	5.50
SHF-135	<b>SHAFT</b> • drive shaft pinion gear for Model SS (Includes Screw SCR-145)	25	N/A	1	28.10
SHF-245	<b>SHAFT</b> • drive shaft for Model A	N/A	25	1	70.00
SPA-885	<b>SPACER</b> • plate spacer (white) use with SCR-878/879 for Model A and SS	26	26	SS=1 A=1	2.60
SPA-886	<b>SPACER</b> • plate spacer (black) unthreaded use with SCR-876/877 for Model A and SS	26	26	SS=6 A=8	2.60
SWA-150	<b>SWITCH ASSEMBLY</b> • includes an "O" ring, switch, switch boot, switch box, 4 bottom and 2 side screws, and 2 terminals for Model SS	17	N/A	1	38.40
SWA-250	<b>SWITCH ASSEMBLY</b> • includes a switch, switch boot and a bushing for Model A	N/A	20	1	18.60
SWB-197	<b>SWITCH BUSHING</b> • for Model A	N/A	27	1	2.30
SWT-196	<b>SWITCH</b> • heavy duty 20 amp toggle switch for Model A	N/A	27	1	14.30
SWT-200	<b>SWITCH</b> • heavy duty switch, cover and connectors for Model SS	18(a)	N/A	1	19.10
BKIT	<b>BASE REBUILD KIT</b> • for Model A and Model SS Glass Washers. Rebuild your Glass Washer base plates with all new parts. Includes all applicable gears, bearings, feet, etc.	N/A	N/A	N/A	138.00
A-BASE	<b>COMPLETE ASSEMBLED BASE - MODEL A-200</b> Complete replacement Glass Washer bases.	N/A	N/A	1	194.00
SS-BASE	<b>COMPLETE ASSEMBLED BASE - MODEL SS-100</b> For Model A-200 just add your existing Upright Motor, Drive Shaft, and Brushes. A new Coupler (part CPL-285) is included. For Model SS-100 just add your existing Submersible Motor, Shaft Pinion Gear Assembly, and Brushes. All wearing parts are new. Reconditioned stainless steel frame plates with slight cosmetic flaws may be used. One year Warranty on parts.	N/A	N/A	1	194.00

*Bar Maid heavy-duty 1/3 HP replacement motors fit all makes of Glass Washers.*



Powerful 1/3 HP motor, heavy-duty stainless construction and bronze bearings deliver outstanding performance and reliability. G.F.C.I. included. ETL approved to UL, CSA & NSF.

**Model SS-100**  
**Model SS-101**  
**Submersible Glass Washer**



**Order Line 1-800-526-5278 / Order Fax 1-800-457-5612**

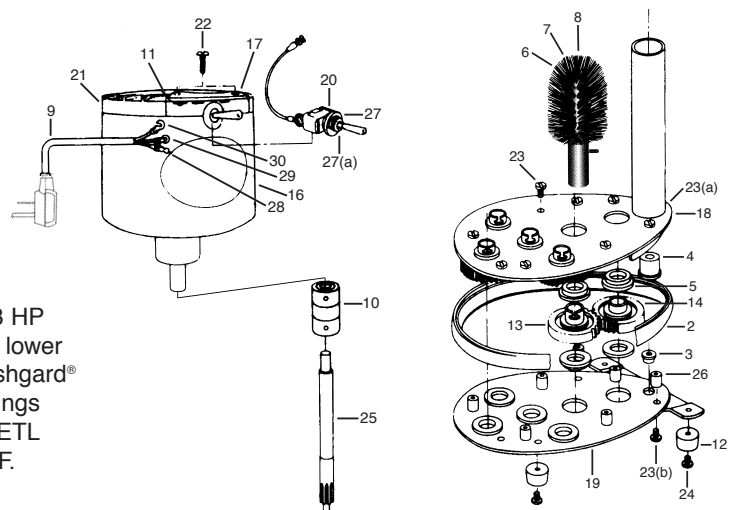
Part Number	Product Description	For Glass Washer Models	Qty Required	List \$ Each
BRS-732SG	<b>SHOT GLASS</b> • the perfect brush for Shot Glasses	Model A & Model SS	1	29.60
BRS-917	<b>6 INCH</b> • standard replacement brush	Model A & Model SS	5	16.20
BRS-917S	<b>6 INCH SOFTIE®</b> • for delicate glassware	Model A & Model SS	5	16.60
BRS-920	<b>6 3/4 INCH</b> • for slightly taller glassware	Model A & Model SS	1	17.40
BRS-922	<b>7 1/2 INCH</b> • for taller glassware	Model A & Model SS	1	17.80
BRS-975	<b>8 1/2 INCH</b> • for extra tall glassware	Model A & Model SS	1	24.80
BRS-976	<b>PILSNER</b> • 9 inch Pilsner brush for Pilsners up to 8.5" deep	Model A & Model SS	1	25.20
BRS-930	<b>COFFEE POT &amp; PITCHERS</b> • for wide coffee pots and pitchers	Model A & Model SS	1	31.40
BRS-935	<b>COFFEE POT</b> • for narrow top coffee pots	Model A & Model SS	1	31.40
BRS-950	<b>MARGARITA</b> • Margarita & Martini glasses	Model A & Model SS	1	21.80
BRS-980	<b>MUFFIN PAN</b> • 4 inch scrub brush	Model A & Model SS	4	19.70
Universal Brush	Perfect Fit In All Brands Of Glass Washers (except Waring®)			
BRS-917SL	<b>6 INCH Slotted Brush</b> • universal standard replacement	Competitive Brands and Model A & Model SS	5	16.80
BRS-920SL	<b>6 3/4 INCH Slotted Brush</b> • universal slightly taller replacement		1	17.90
BRS-922SL	<b>7 1/2 INCH Slotted Brush</b> • universal taller center brush		1	18.90
BRS-975SL	<b>8 1/2 INCH Slotted Brush</b> • universal for extra tall glassware		1	24.80
BRS-976SL	<b>PILSNER</b> • 9 inch Universal slotted Pilsner brush for Pilsners up to 8.5" deep		1	25.20
Special Sizes	<b>Baby Bottle, and Other Sizes Available</b>	Model A & Model SS	—	Special
BPI-890	<b>BRUSH PINS</b> • locking pins for Bar Maid brushes	Model A & Model SS	1 per brush	.60
BRS-1722	<b>BRUSH SET REPLACEMENT</b> • Bar Maid 4 x 6" & 1 x 7 1/2"	Model A & Model SS	1	79.00
BRS-1720SL	<b>BRUSH SET REPLACEMENT</b> • Universal 4 x 6" & 1 x 6 3/4"	Bar Maid & Competitors	1	79.00

**Please Note:** Brush size is the "useable" length of the brush.



**Model A-200  
Model A-205  
Upright  
Glass Washer**

Features quiet, powerful 1/3 HP enclosed motor with sealed lower bearing and exclusive Splashgard® canopy. Heavy bronze bearings and stainless construction. ETL approved to UL, CSA & NSF.



**Order Line 1-800-526-5278 / Order Fax 1-800-457-5612**